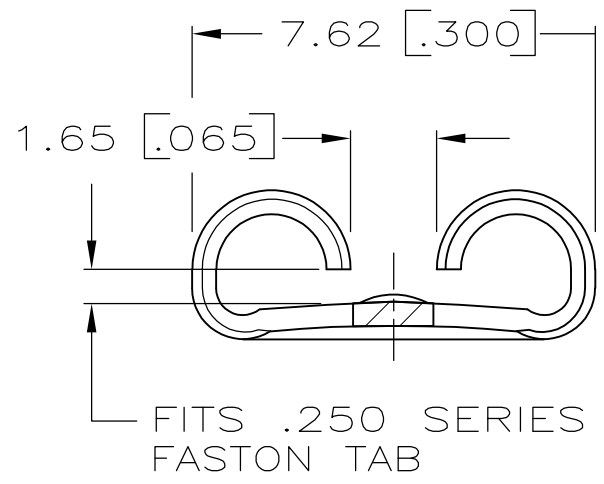
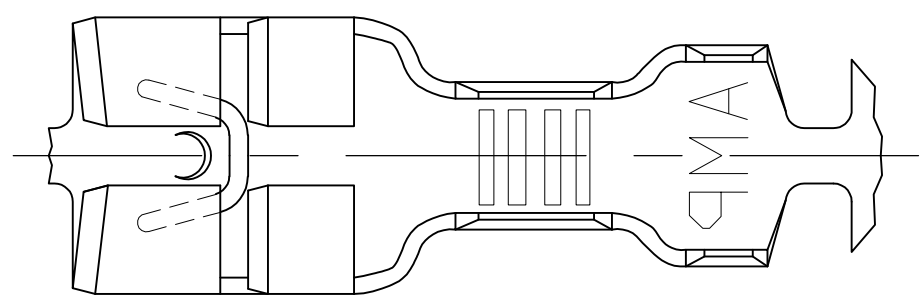


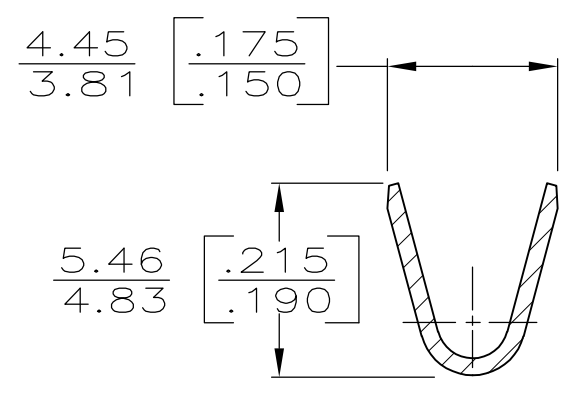
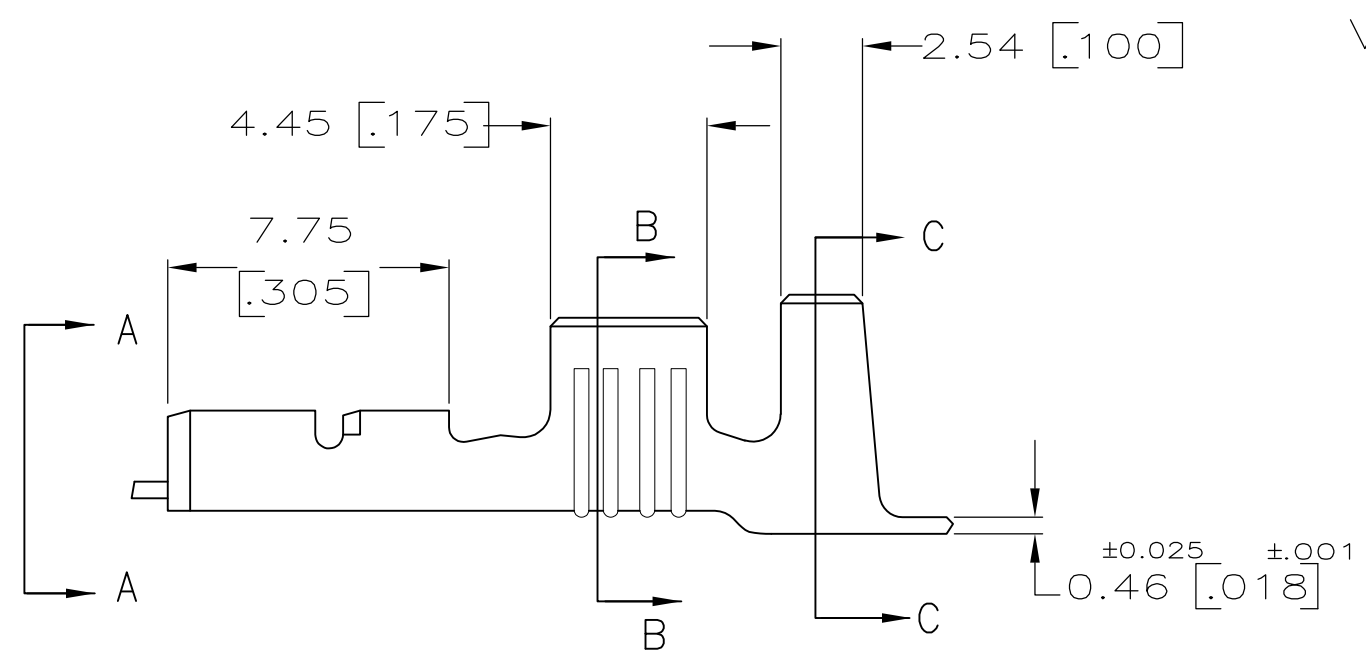
THIS DRAWING IS UNPUBLISHED. RELEASED FOR PUBLICATION  
 © COPYRIGHT - By - ALL RIGHTS RESERVED.

LOC	DIST	REVISIONS			
P	LTR	DESCRIPTION	DATE	DWN	APVD
AF	50				
	K	REVISED PER ECR-12-013518	23NOV2012	KH	PD

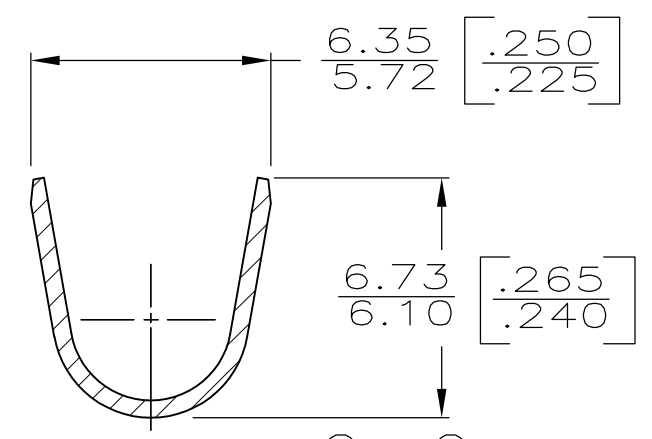


- 1 DIMENSIONS IN BRACKETS ARE IN INCHES.
- 2 CONTINUOUS STRIP ON REELS.

VIEW A-A



SECTION B-B



SECTION C-C

TIN	5.08-3.81 [.200-.150]	2.0-5.0mm <sup>2</sup> [14-10]	±0.025 .081 ±.001 [.032]	63365-2 63365-1
FINISH	INSULATION RANGE	WIRE SIZE	MATING TAB THK.	PART NO

THIS DRAWING IS A CONTROLLED DOCUMENT.		DWN JR RUTH 10/10/86	<b>STE</b> TE Connectivity			
DIMENSIONS: mm [INCHES]		CHK M FEHER 12/1/87				
TOLERANCES UNLESS OTHERWISE SPECIFIED:		APVD C MEYERS 12/1/87	NAME			
0 PLC ± -		PRODUCT SPEC	RECEPTACLE, FASTON, LOW-INSERTION, .250 SERIES			
1 PLC ± -		APPLICATION SPEC				
2 PLC ± -		WEIGHT -	SIZE A3	CAGE CODE 00779	DRAWING NO C-63365	RESTRICTED TO -
3 PLC ± 0.25[.010]		CUSTOMER DRAWING		SCALE 5:1	SHEET 1 OF 1	REV K
4 PLC ± -						
ANGLES ± -						
FINISH -						
MATERIAL BRASS						